



CITY OF GALT

Building Inspection Dept.

www.ci.galt.ca.us

Permit Office
 495 Industrial Drive
 Galt, CA 95632 (just north of Elm Ave.)
 (209) 366-7200
 24HR Inspection Line (209) 366-7200

NOTES:

TYPICAL FRAMING DETAILS

1. PROVIDE 1 SQ. FT. UNDERFLOOR VENTILATION PER 150 SQ.FT. OF UNDERFLOOR AREA. See Sec. 2306.7 of CBC
2. BRACING WALLS - See Sec. 2320.11.3 & 2320.11.4 of CBC
3. CUTTING AND NOTCHING - See Sec. 2320.11.9 of CBC
4. PIER-JOIST SYSTEM, SIZE, LOCATION, DEPTH, AND SPACING BASED ON TRIBUTARY AREA.
5. BORED HOLES - See Sec. 2320.11.10 of CBC
6. DOUBLE JOIST UNDER BEARING WALL - See Sec. 2320.8.5 of CBC

ATTIC VENT-See Sec. 1505.3 of CBC

RAFTER TIE @ 40.C.-See Sec. 2320.12.6 of CBC

PURLIN-See Sec. 2320.12.7 of CBC

BRACE PURLINS TO BEARING WALL

CEILING JOIST-See Tables 23-IV-J,3,4

EXTERIOR SHEATHING
 See Tables 23-II-E-1.2 -Vol. 1
 and 23-D-1.2 - Vol. 2
 23-IV-D1 & D2

BLOCKING & EAVE VENT

BRACED PANEL
 See Section 2320.11.3 of CBC

HEADER

HEADER

BEARING WALL

EAVE VENT
 EXTERIOR PLYWOOD

See Note No.6

4x6 GIRDER @ 4' O.C.

JOIST

12"

18"

6"

12"

PRECAST PIER

GIRDER

GIRDER

See Note #1

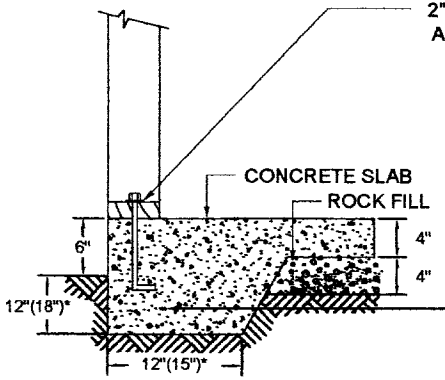
18"

SQUARE PIER
 See Table 18-I-C
 Footnote 3

See Note #4

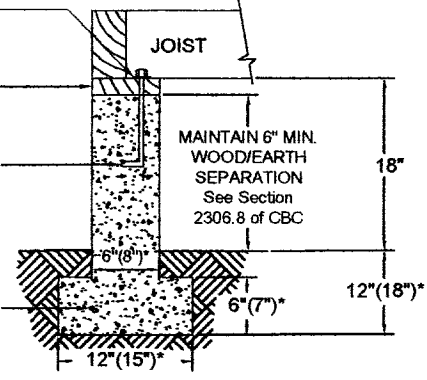
DECK GIRDER SYSTEM

FLOOR JOIST SYSTEM



CONCRETE SLAB FOUNDATION
 One Story (Two Story)*

2" x 2" x 3/16" PLATE WASHER
 AT EACH SILL ANCHOR BOLT
 See Section 1806.1.2 of CBC
 FOUNDATION GRADE
 REDWOOD OR
 PRESSURE TREATED
 1/2"x 10" BOLTS
 @ 6' O.C. AND WITHIN
 12" OF CORNERS OR
 ENDS OF MUD SILL
 #4 REBAR REQUIRED, T&B
 (#5 IF MONOLITHIC POUR)
 See Sections 1806.7.1
 & 1806.7.2 of CBC



CONVENTIONAL FOUNDATION
 One Story (Two Story)*

SPAN ALLOWANCES

(NOT FOR TILE ROOFS)

NOTE: ALL VALUES BASED ON DOUGLAS FIR-LARCH GRADE No.2

FLOOR JOISTS L/360 40LL+10DL

SIZE	SPACING	ALLOWABLE SPAN
2x6	12"oc	10'-9"
	16"oc	9'-9"
	24"oc	8'-2"
2x8	12"oc	14'-2"
	16"oc	12'-7"
	24"oc	10'-2"
2x10	12"oc	17'-8"
	16"oc	15'-3"
	24"oc	12'-3"
2x12	12"oc	20'-6"
	16"oc	17'-7"
	24"oc	14'-4"

CEILING JOISTS L/240 10LL+5DL

SIZE	SPACING	ALLOWABLE SPAN
2x4	12"oc	12'-2"
	16"oc	10'-9"
	24"oc	8'-8"
2x6	12"oc	19'-6"
	16"oc	17'-8"
	24"oc	14'-9"
2x8	12"oc	25'-8"
	16"oc	22'-10"
	24"oc	18'-6"
2x10	12"oc	26'-0"
	16"oc	25'-5"
	24"oc	22'-3"

RAFTERS L/240 20LL+10DL

SIZE	SPACING	ALLOWABLE SPAN
2x4	12"oc	9'-7"
	16"oc	8'-6"
	24"oc	7'-0"
2x6	12"oc	15'-4"
	16"oc	13'-9"
	24"oc	11'-7"
2x8	12"oc	20'-3"
	16"oc	18'-1"
	24"oc	14'-10"
2x10	12"oc	24'-10"
	16"oc	21'-6"
	24"oc	17'-7"
2x12	12"oc	25'-2"
	16"oc	25'-2"
	24"oc	20'-6"

PURLINS

PURLIN SIZE*	STRUT SPACING
2x4	2x4 @ 4'-0" oc
2x6	2x4 @ 6'-0" oc
2x8	2x4 @ 8'-0" oc
2x10	2x4 @ 10'-0" oc

* NOT SMALLER THAN SUPPORTING RAFTERS

WINDOW AND DOOR HEADERS*

SIZE	OPENING	LOADING
4x4	UP TO 4'-0"	325 LB/FT
4x6	4'-0" TO 6'-0"	357 LB/FT
4x8	6'-0" TO 8'-0"	349 LB/FT
4x10	8'-0" TO 10'-0"	363 LB/FT
4x12	10'-0" TO 12'-0"	373 LB/FT
4x12	GARAGE DOOR 16'-0" - (NOT FOR TILE ROOF)	

* SUPPORTING CONVENTIONAL ROOF LOADS ONLY